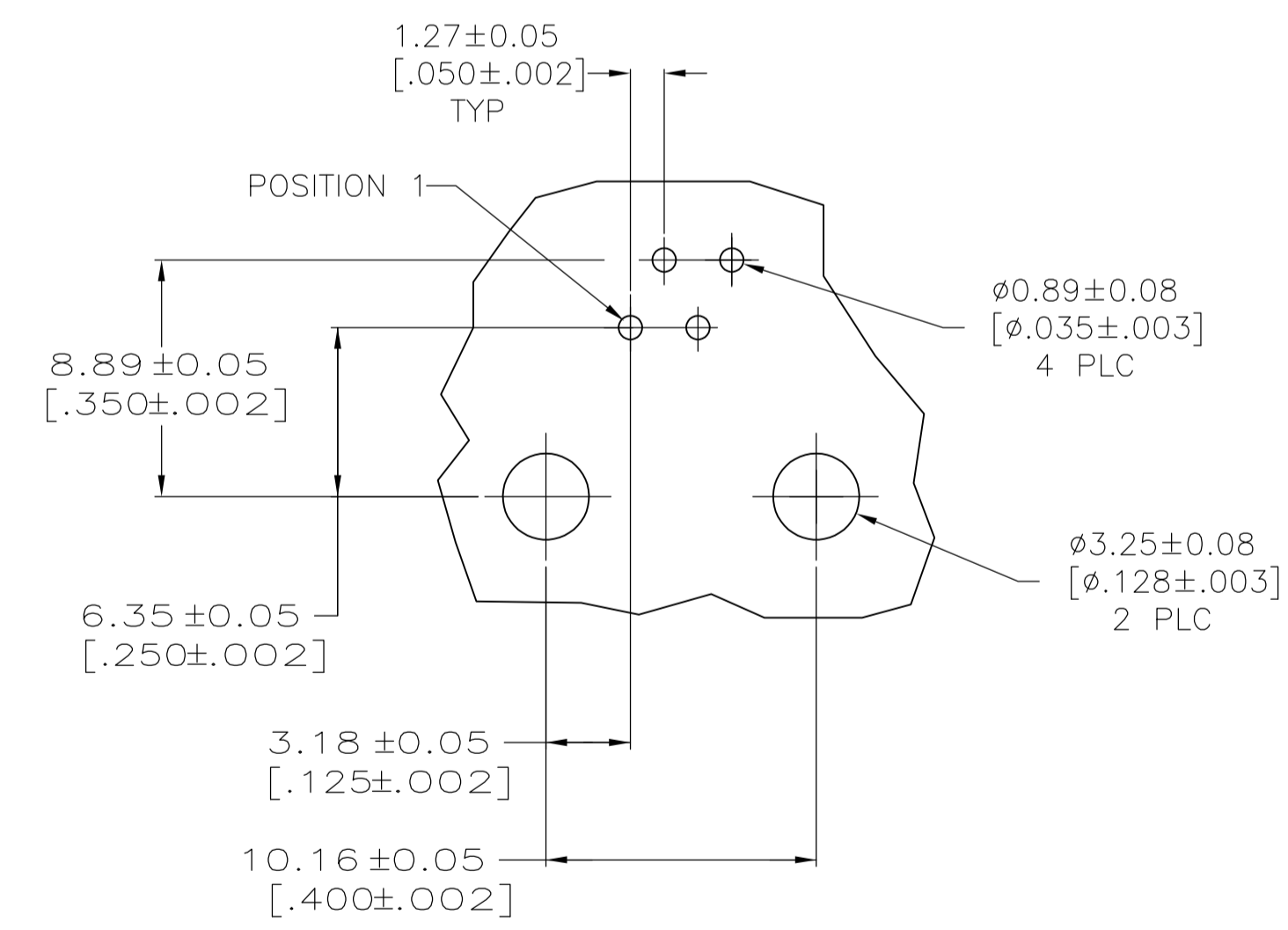
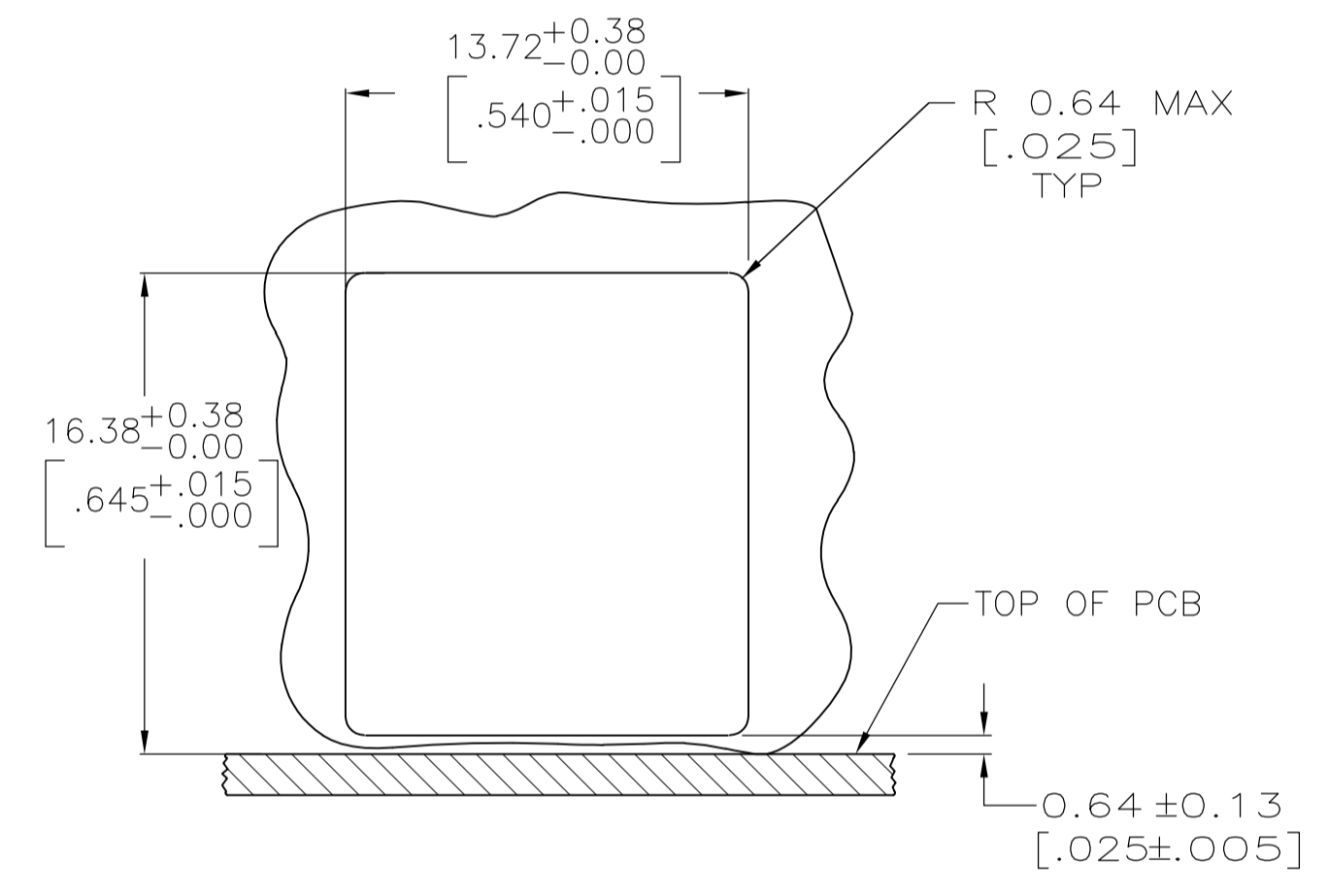
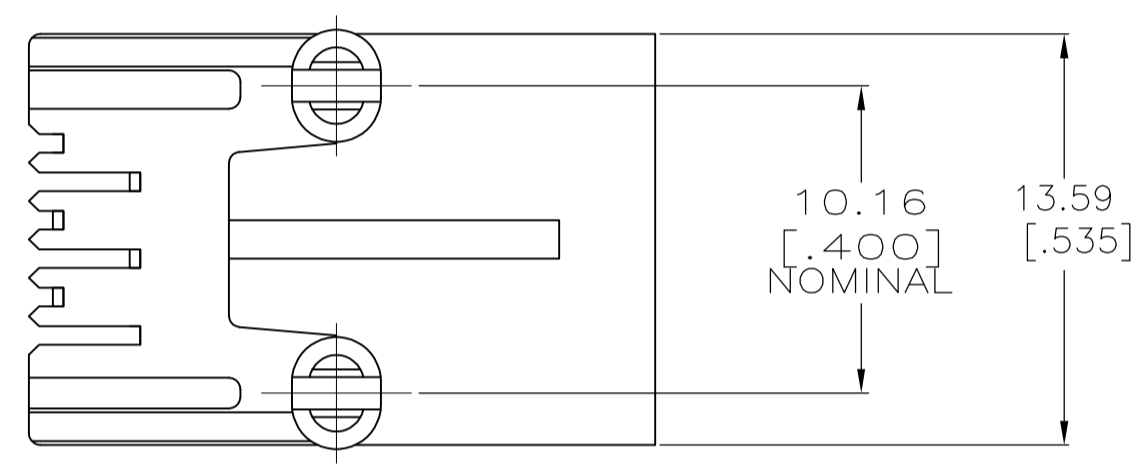


- MATERIAL: HOUSING - PBT POLYESTER, COLOR: BLACK
TERMINALS - 0.36[.014] THICK PHOS-BRONZE PLATED WITH 1.27 μ m[.000050] MINIMUM THICK HARD GOLD IN LOCALIZED GOLD PLATE AREA AND 3.81 μ m[.000150] MINIMUM THICK MATTE TIN IN SOLDER AREA OVER 1.27 μ m[.000050] MINIMUM THICK NICKEL UNDERPLATE.
 - ALL DIMENSIONS SHOWN ARE MAXIMUM UNLESS OTHERWISE SPECIFIED.
 - TERMINALS LOCATED IN CENTER POSITIONS.
- ⚠ CAVITY CONFORMS TO FCC RULES AND REGULATIONS PART 68 AND REA BULLETIN 345-81 PE-76 SPECIFICATION FOR MODULAR TELEPHONE HARDWARE.
- ⚠ BULK PACKAGED IN A TRAY.



PRINTED CIRCUIT BOARD LAYOUT
COMPONENT SIDE SHOWN

⚠	5555979-1
PACKAGED	PART NUMBER

THIS DRAWING IS A CONTROLLED DOCUMENT.		DIN G. ATTADIA - 08/JUN/2005	STE TE Connectivity	
DIMENSIONS: mm [INCHES]		CHK J. WESTMAN - 08/JUN/2005	NAME	
TOLERANCES UNLESS OTHERWISE SPECIFIED:		APVD S. FLICKINGER - 08/JUN/2005	MODULAR JACK ASSEMBLY, SIDE ENTRY, 6 POSITION/4 CONTACTS, FLANGELESS WITHOUT PANEL STOPS	
0 PLC ± -	1 PLC ± -	PRODUCT SPEC 108-1163	SIZE	
2 PLC ± 0.13[.005]	3 PLC ± -	APPLICATION SPEC 114-2048	CAGE CODE	DRAWING NO
4 PLC ± -	ANGLES ± -	WEIGHT -	A1 00779	5555979
MATERIAL SEE NOTE 1	FINISH SEE NOTE 1	CUSTOMER DRAWING	SCALE 4:1	SHEET 1 OF 1
		REV B1		